

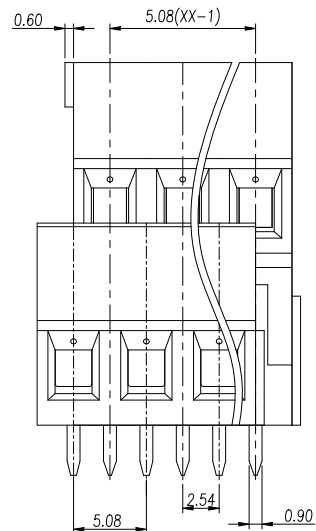
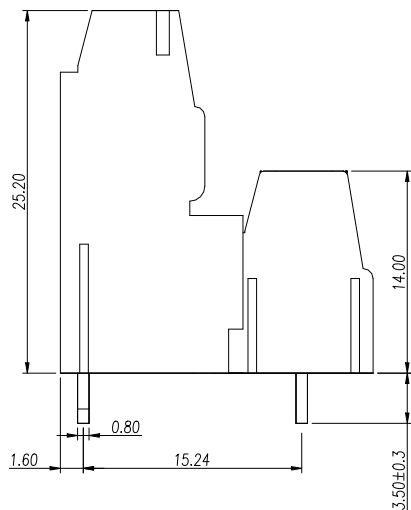
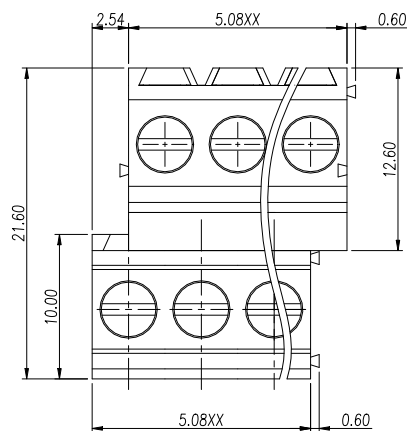
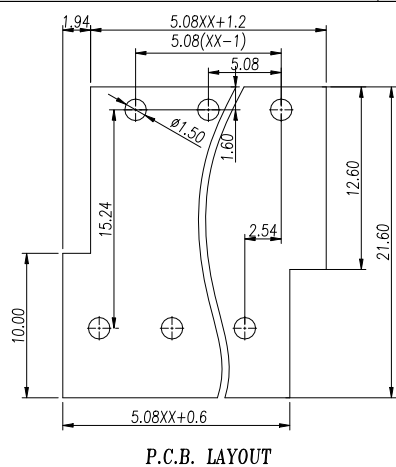


慈溪市万捷电子有限公司

CIXI WANJIE ELECTRONIC CO., LTD

REVISION RECORD

| REV. | DESCRIPTION | ECN No. | APPROVED | DATE |
|------|-------------|---------|----------|------|
| | | | | |
| | | | | |
| | | | | |



| UL/CUL 技术参数 | | UL/CUL Technical Data | | |
|-------------|------------------------------------|-----------------------|-----|-----|
| 等级 | Use Group | B | C | D |
| 额定电压 | Rated Voltage [V] | 300 | - | 300 |
| 额定电流 | Rated Current [A] | 15 | - | 10 |
| 接线范围 | Wire Range | 30-14 | | |
| 单/多芯线 | Solid/Stranded [AWG] | 30-14 | | |
| 耐电压 | Withstanding Voltage | 1600V/1Min | | |
| IEC 技术参数 | | IEC Technical Data | | |
| 过电压类别 | Overvoltage Category | III | III | II |
| 污染等级 | Contamination Class | 3 | 2 | 2 |
| 额定电压 | Rated Voltage [V] | 250 | 400 | 630 |
| 额定电流 | Rated Current [A] | 24 | 24 | 24 |
| 额定冲击电压 | Impulse withstand voltage [KV] | 4.0 | 4.0 | 4.0 |
| 导线截面积 | Conductor cross section | 0.5-2.5 | | |
| 硬质/柔性导线 | Solid/ flexible [mm ²] | 0.5-2.5 | | |
| 材料 | | Material | | |
| 绝缘材料 | Insulation Material | PA66 | | |
| 阻燃等级 | Imflammability | UL94V-0 | | |
| 导体材料 | Contacting Material | 铜合金 Copper alloy | | |
| 导体表面镀层 | Contactive Coating | 镀锡 Sn Plated | | |
| 一般参数 | | Other Data | | |
| 间距 | Pitch /极数 Poles [mm] / [P] | 5.08 / 2*02~2*25 | | |
| 剥线长度 | Stripping Length [mm] | 6~7 | | |
| 螺丝 | Screw/扭矩 Torque(Max) [N.m] | M2.5/0.4 | | |
| 工作温度 | Operating temperature [°C] | -40~105 | | |
| 焊接温度 | Soldering temperature | 260°C/5S | | |
| 引针尺寸 | Pin Dimensions [mm] | 0.8*0.9 | | |
| PCB板孔径 | PCB Hole Diameter [mm] | Ø1.5 | | |

linear dimension(Tolerances Standard GB/T 14486-2008)

| variable range | to 6 | over 6 to 10 | over 10 to 30 | over 30 to 60 | over 60 to 100 | over 100 to 160 | over 160 to 100 | over 10 to 100 | over 100 to 100 | |
|----------------|-------|--------------|---------------|---------------|----------------|-----------------|-----------------|----------------|-----------------|------|
| tolerance | ±0.20 | ±0.30 | ±0.50 | ±0.70 | ±1.00 | ±1.30 | ±1.60 | 0.10 | 0.30 | 0.60 |

单位 / UNITS mm 尺寸 / SIZE A4 比例 / SCALE 2:1 第三视角 / THIRD ANGLE PROJECTION 版本 / REV V0

名称 / TITLE WJEK508B-5.08-2*XP-1YY-00A

慈溪市万捷电子有限公司 CIXI WANJIE ELECTRONIC CO., LTD