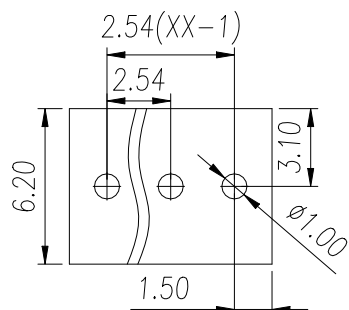




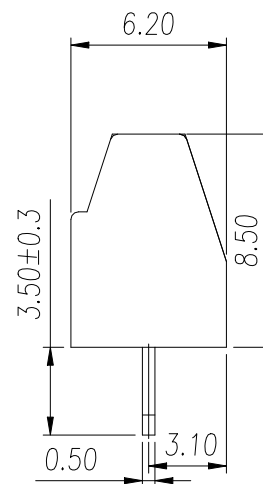
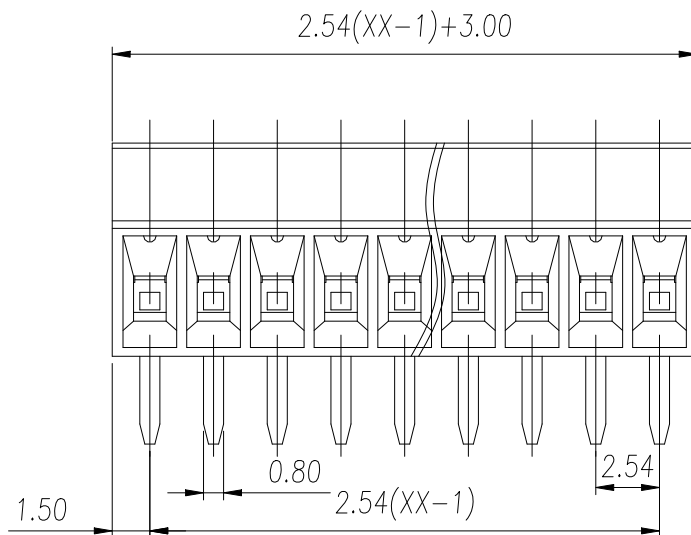
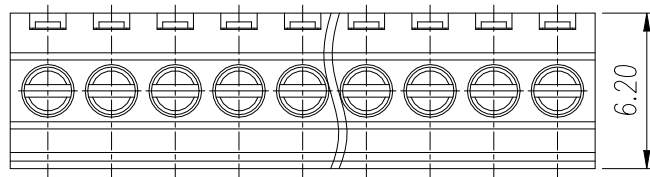
慈溪市万捷电子有限公司

CIXI WANJIE ELECTRONIC CO., LTD

REVISION RECORD				
REV.	DESCRIPTION	ECN No.	APPROVED	DATE



P.C.B. LAYOUT



UL/CUL 技术参数	UL/CUL Technical Data				
等级	Use Group	B	C		D
额定电压	Rated Voltage [V]	150	-	-	
额定电流	Rated Current [A]	7	-	-	
接线范围	Wire Range				
单/多芯线	Solid/Stranded [AWG]	26-18			
耐电压	Withstanding Voltage	1300V/1Min			
IEC 技术参数	IEC Technical Data				IEC60947-7-4
过电压类别	Overvoltage Category	III	III	II	
污染等级	Contamination Class	3	2	2	
额定电压	Rated Voltage [V]	63	130	320	
额定电流	Rated Current [A]	8	8	8	
额定冲击电压	Impulse withstand voltage [KV]	1.5	1.5	2.5	
导线截面积	Conductor cross section	0.5-1.0			
硬质/柔性导线	Solid/flexible [mm ²]				
材料	Material				
绝缘材料	Insulation Material	PA66			
阻燃等级	Imflammability	UL94V-0			
导体材料	Contact Material	铜合金 Copper alloy			
导体表面镀层	Contactive Coating	镀锡 Sn Plated			
一般参数	Other Data				
间距	Pitch /极数 Poles [mm]/[P]	2.54 / 02~24			
剥线长度	Stripping Length [mm]	4~5			
螺丝	Screw/扭矩 Torque(Max) [N.m]	M1.6/0.1			
工作温度	Operating temperature [°C]	-40~105			
焊锡温度	Soldering temperature	260°C/5S			
引针尺寸	Pin Dimensions [mm]	0.5*0.8			
PCB板孔径	PCB Hole Diameter [mm]	Ø1.0			

linear dimension(Tolerances Standard GB/T 14486-2008)

variable range	to 6	over 6 to 10	over 10 to 30	over 30 to 60	over 60 to 100	over 100 to 160	over 160 to 250	—	□	⊥
tolerance	±0.20	±0.30	±0.50	±0.70	±1.00	±1.30	±1.60	0.10	0.30	0.60

单位/UNITS	mm	尺寸/SIZE	A4	比例/SCALE	3.5:1	第三视角/THIRD ANGLE PROJECTION	版本/REV	V0
							名称/TITLE	WJEK254-2.54-XXP-1YY-00A



慈溪市万捷电子有限公司
CIXI WANJIE ELECTRONIC CO., LTD