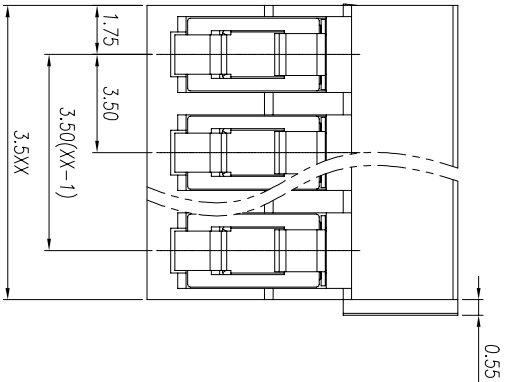
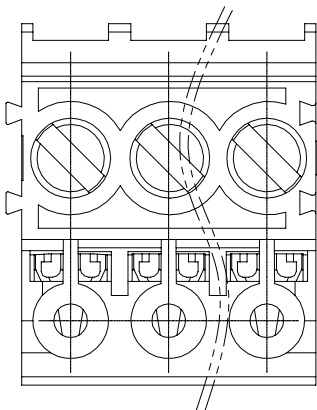




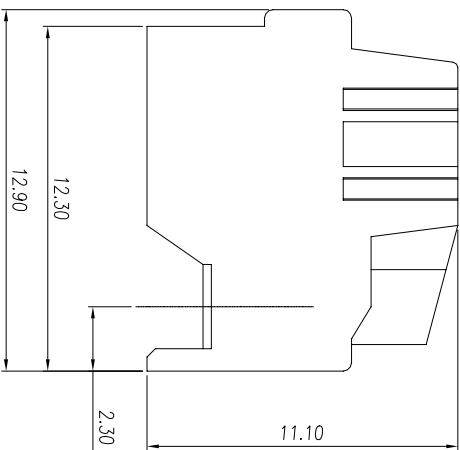
慈溪市万捷电子有限公司

CIXI WANJIE ELECTRONIC CO., LTD

REVISION RECORD				
REV.	DESCRIPTION	ECN No.	APPROVED	DATE



UL/CUL 技术参数		UL 1059			
等级	Use Group	B	C	D	
额定电压	Rated Voltage	N	300	-	300
额定电流	Rated Current	A	10	-	10
接线范围	Wire Range	26-16			
单/多芯线	Solid/Stranded	[AWG]			
耐电压	Withstanding Voltage	1600V/Min			
IEC 技术参数		IEC60947-7-4			
IEC Technical Data		IEC60947-7-4			
过电压类别	Overvoltage Category	III	III	II	
污染等级	Contamination Class	3	2	2	
额定电压	Rated Voltage	N	160	200	400
额定电流	Rated Current	A			
额定冲击电压	Impulse withstand voltage	KV			
		2.5			
导线截面积	Conductor cross section	mm ²			
硬质/柔性导线	Solid/flexible	0.2-1.5			
材料	Material				
绝缘材料	Insulation Material	PA66			
阻燃等级	Inflammability	UL94V-0			
导体材料	Contact Material	铜合金 Copper alloy			
导体表面镀层	Contactive Coating	镀锡 Sn Plated			
一般参数 Other Data					
间距	Pitch /极数	Poles	[mm] / [P]	3.5 / (2-24)	
剥线长度	Stripping Length	[mm]	4-5		
螺丝	Screw/扭矩	Torque(Max)	[N.m]	0.2	
工作温度	Operating temperatur	[°C]	-40~105		
引脚尺寸	Pin Dimensions	[mm]	-		
PCB板孔径	PCB Hole Diameter	[mm]	-		



linear dimension	Tolerances Standard GB/T 14486-2008											
tolerance	±0.20	±0.30	±0.50	±0.70	±1.00	±1.30	±1.60	0.10	0.30	0.60		
variable range	6 to 6	10 to 10	30 to 30	60 to 60	100 to 100	160 to 160	160 to 160	10 to 10	10 to 100	100 to 100		

单位 / UNITS	mm	尺寸 / SIZE	A4	比例 / SCALE	1:1	
名称 / TITLE	慈溪市万捷电子有限公司 CIXI WANJIE ELECTRONIC CO., LTD				版本 / REV	V0
第三视图/THIRD ANGLE PROJECTION						
WJ335K-3.5-XXP-1YY-00A						