

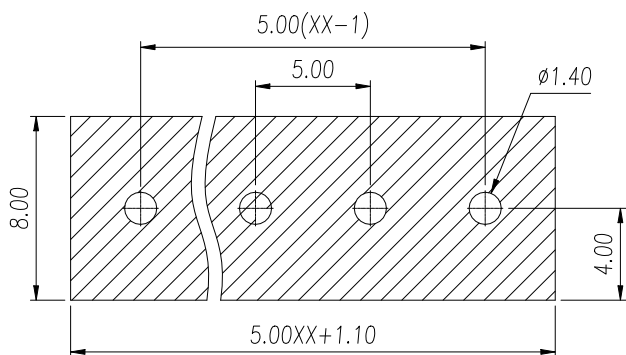


# 慈溪市万捷电子有限公司

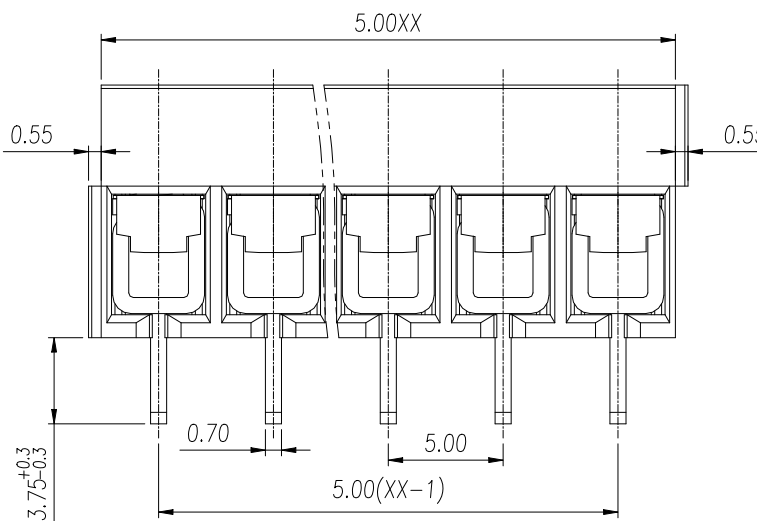
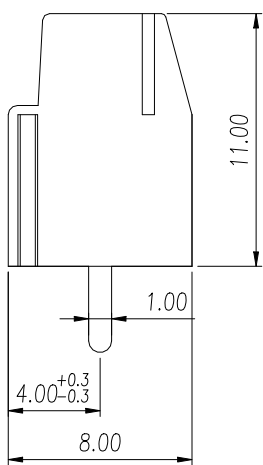
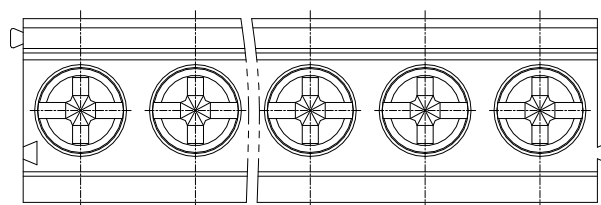
## CIXI WANJIE ELECTRONIC CO., LTD

### REVISION RECORD

| REV. | DESCRIPTION | ECN No. | APPROVED | DATE |
|------|-------------|---------|----------|------|
|      |             |         |          |      |
|      |             |         |          |      |
|      |             |         |          |      |



P.C.B. LAYOUT



| UL/CUL 技术参数           |                                   | UL1059           |     |     |
|-----------------------|-----------------------------------|------------------|-----|-----|
| UL/CUL Technical Data |                                   | UL1059           |     |     |
| 等级                    | Use Group                         | B                | C   | D   |
| 额定电压                  | Rated Voltage [V]                 | 300              | -   | 300 |
| 额定电流                  | Rated Current [A]                 | 8                | -   | 8   |
| 接线范围                  | Wire Range                        | 26-14            |     |     |
| 单/多芯线                 | Solid/Stranded [AWG]              | 26-14            |     |     |
| 耐电压                   | Withstanding Voltage              | 1600V/1Min       |     |     |
| IEC 技术参数              |                                   | IEC60947-7-4     |     |     |
| IEC Technical Data    |                                   | IEC60947-7-4     |     |     |
| 过电压类别                 | Overvoltage Category              | III              | III | II  |
| 污染等级                  | Contamination Class               | 3                | 2   | 2   |
| 额定电压                  | Rated Voltage [V]                 | 250              | 400 | 630 |
| 额定电流                  | Rated Current [A]                 | 18               | 18  | 18  |
| 额定冲击电压                | Impulse withstand voltagea [KV]   | 4.0              | 4.0 | 4.0 |
| 导线截面积                 | Conductor cross section           | 0.5-2.5          |     |     |
| 硬质/柔性导线               | Solid/flexible [mm <sup>2</sup> ] | 0.5-2.5          |     |     |
| 材料                    |                                   | Material         |     |     |
| 绝缘材料                  | Insulation Material               | PA66             |     |     |
| 阻燃等级                  | Imflammability                    | UL94V-0          |     |     |
| 导体材料                  | Contacting Material               | 铜合金 Copper alloy |     |     |
| 导体表面镀层                | Contactive Coating                | 镀锡 Sn Plated     |     |     |
| 一般参数                  |                                   | Other Data       |     |     |
| 间距                    | Pitch /极数 Poles [mm] / [P]        | 5.0 / 02-24      |     |     |
| 剥线长度                  | Stripping Length [mm]             | 6~7              |     |     |
| 螺丝                    | Screw/扭矩 Torque(Max) [N.m]        | M2.5/0.4         |     |     |
| 工作温度                  | Operating temperature [°C]        | -40~105          |     |     |
| 焊锡温度                  | Soldering temperature [°C]        | 260°C/5S         |     |     |
| 引针尺寸                  | Pin Dimensions [mm]               | 0.6*1.0          |     |     |
| PCB板孔径                | PCB Hole Diameter [mm]            | ø1.4             |     |     |

linear dimension(Tolerances Standard GB/T 14486-2008)

| variable range | to 6  | over 6 to 10 | over 10 to 30 | over 30 to 60 | over 60 to 100 | over 100 to 160 | over 160 to 100 | over 10 to 100 | over 100 to 100 |      |
|----------------|-------|--------------|---------------|---------------|----------------|-----------------|-----------------|----------------|-----------------|------|
| tolerance      | ±0.20 | ±0.30        | ±0.50         | ±0.70         | ±1.00          | ±1.30           | ±1.60           | 0.10           | 0.30            | 0.60 |

单位 / UNITS mm 尺寸 / SIZE A4 比例 / SCALE 5:1 第三视角 / THIRD ANGLE PROJECTION 版本 / REV V0

名称 / TITLE WJ126A-5.0-XXP-1YY-00A

慈溪市万捷电子有限公司  
CIXI WANJIE ELECTRONIC CO., LTD